

MTB1200E Master Controller Specs

www.mooncell.com.cn

WhatsApp: +8618673763873



Shenzhen Mooncell Electronic Co., Ltd.



Shenzhen Mooncell Electronics Co., Ltd

Master Controller Series

MTB1200E Product Specifications



Web: www.mooncell.com.cn

Skype: [cheersnigel](https://www.skype.com/people/cheersnigel)

*ADD: 1st Floor, Comprehensive Building, Baoshi South Road, Shiyan Town,
Baoan District, Shenzhen, PRC*

1 Product Overview

Product Introduction

The MTB1200E has a variety of video signal receiving capabilities, as well as ultra-high definition full 4K × 2K@60Hz image processing capabilities and transmission capabilities; the processed video can be sent to the LED display through the network port and optical fiber port; and it has powerful processing capabilities. It can effectively improve on-load utilization. It has strong processing power, ultra-stable performance and ultra-high cost performance.

Product Features

- Multiple input interfaces: 1 channel DP1.2 input; 1 channel HDMI2.0 input; 1 channel AUDIO audio input
- 12x gigabytes Ethernet output ports, it supports the arbitrary splicing.
- A variety of communication control methods: 1 USB interface; 1 serial port interface; 1 100M network interface
- It supports Ethernet Port Loop Dual Backup, Dual Master Controller Backup.
- It supports to have multiple preset resolutions: 1024×768 、 1280×1024 、 1366×768 、 1600×1200 、 1920×1080 、 2048×1152 、 2560×960 and the user defined resolution is supported.
- It is compatible with 30HZ, 50HZ, 60HZ, 120HZ and other Frame Rate Input.
- It supports the upper computer software to detect the operating parameters and status of the sending card.
- It supports to read the configurations back from where it was stored (configuration read back)
- It supports to detect the error rates of the gigabyte network.

Application Scenarios

Mooncell MTB1200E with powerful video processing and sending ability which has been widely used in various application scenarios such as: Stage, Conference, Event, Exhibition, High-end Rental and Small Pixel Pitch Led Displays.



Web: www.mooncell.com.cn

Skype: [cheersnigel](https://www.skype.com/add?contact=cheersnigel)

*ADD: 1st Floor, Comprehensive Building, Baoshi South Road, Shiyan Town,
Baoan District, Shenzhen, PRC*

2 Product Parameters

Basic Parameters

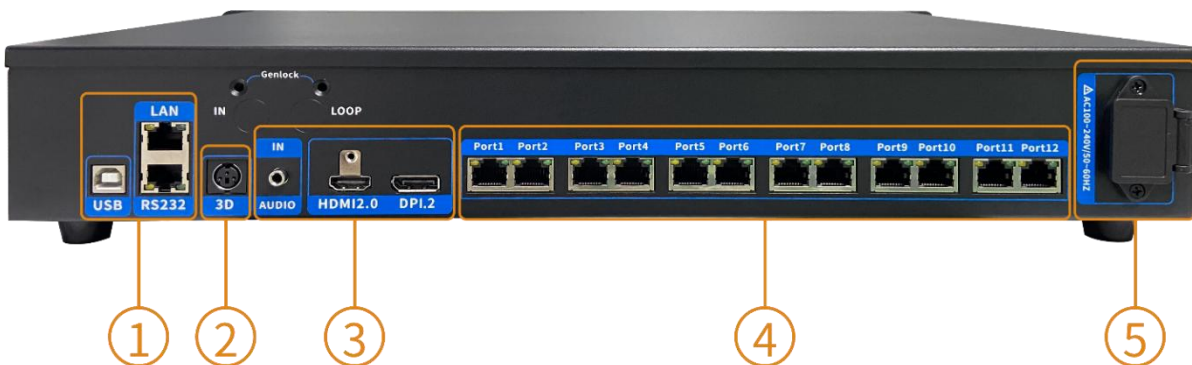
Loading Capacity	1 Network Port	650 Thousand Pixels
	Entire Unit	7.8 Million Pixels
Loading Range	Width	128—4096 Pixels
	Height	64—4096 Pixels
Shift Range	Width	0—8192 Pixels
	Height	0—8192 Pixels

Hardware Introduction

Front Panel



Backside Panel



Web: www.mooncell.com.cn
 Skype: [cheersnigel](https://www.skype.com/cheersnigel)
 ADD: 1st Floor, Comprehensive Building, Baoshi South Road, Shiyan Town,
 Baoan District, Shenzhen, PRC

Front Panel Illustration

Front Panel Illustration		
#	Name	Illustration
1	ON/OFF	Power On/Off for Master Controller
2	LCD Indicator	To show the current status of the device and to set the menu item parameters
3	Rotating Knob	When it's in the Main Interface, Press the Knob to enter the Menu Operation Interface.
		When in the Menu Operation Interface, rotate the knob to select the menu, press the knob to select the current menu or enter sub-menu
4	ESC	Exit the current menu or operation.

Backside Panel

Interface	Illustration
AUDIO	3.5mm Audio Input Interface
DP1.2	The maximum resolution 3840x2160@60Hz, downwards compatible. It supports HDCP1.3. The maximum width of the graphics card is 7680, and the maximum height is 7680.
HDMI2.0	The maximum resolution 3840x2160@60Hz, downwards compatible. It supports HDCP1.4 and EDID 1.4. The maximum width of the graphics card is 7680, and the maximum height is 7680.
Interface	Illustration
Ethernet Port	12x Gigabyte Ethernet Port Output. The maximum loading capacity for 1 single network port: When the input source bits are 8 bits, the maximum loading capacity is 650 thousand pixels.
Interface	Illustration
USB (square)	to connect to the PC end
RS232	1x DB9 interface to connect the central control devices.
LAN	100M megabyte Interface for Local Area Network Communication
3D	The reserved interface(to connected the 3D Transmitter, it needs to be customized according to the requirements)
Interface	Illustration
Power Port	AC-100-240V-50/60HZ AC Power Connector

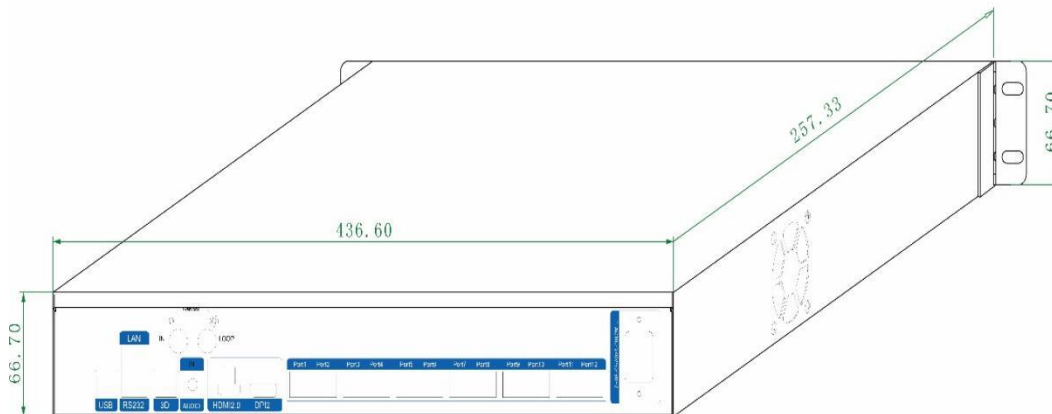
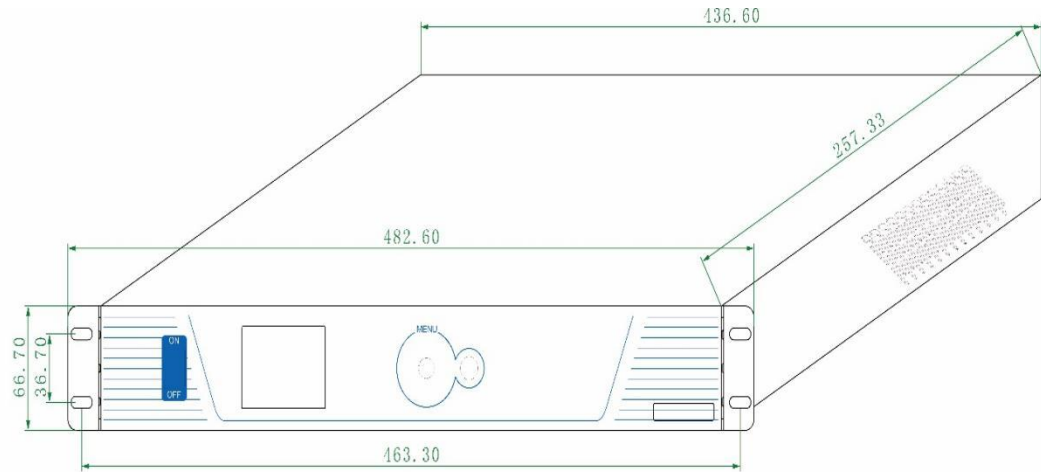


Web: www.mooncell.com.cn

Skype: [cheersnigel](https://www.skype.com/add?contact=cheersnigel)

ADD: 1st Floor, Comprehensive Building, Baoshi South Road, Shiyan Town, Baoan District, Shenzhen, PRC

Dimensions



Web: www.mooncell.com.cn

Skype: [cheersnigel](https://www.skype.com/name/cheersnigel)

ADD: 1st Floor, Comprehensive Building, Baoshi South Road, Shiyan Town,
Baoan District, Shenzhen, PRC

3 Product Specifications

Specifications

Electric Parameters	Input Voltage	AC-100-240V- 50/60HZ
	Rated Power	70W
Operating Environment	Operating Temperature	-20°C - 70°C
	Operating Humidity	10%RH-90%RH No Solidification
Dimensions	482.6mmX365mmX88.9mm(Length x Width x Height)	
Net Weight	4.77Kg	
Packaging	515×130×355mm	

Precautions

1. High voltage danger: The working voltage of this product is AC -100V~240V.
2. It is forbidden to immerse conductive objects such as liquids and metal fragments into the equipment to avoid safety accidents.
3. Please use the equipment in a dry and clean environment.



Web: www.mooncell.com.cn

Skype: [cheersnigel](https://www.skype.com/people/cheersnigel)

ADD: 1st Floor, Comprehensive Building, Baoshi South Road, Shiyan Town,
Baoan District, Shenzhen, PRC