



Shenzhen Mooncell Electronics Co., Ltd

Sending Card Series

KT20 Product Specification

1 Product Overview

Product Introduction

KT20 is the Sending Card that produced by Mooncell, it supports DVI Input and is with 4 Network Output Ports. The maximum loading capacity could reach up to 1.3 million pixels,withpowerful processing ability,super reliability and high cost performance.

Product Features

- 2 * HDMI video signal input.
- 1x AUDIO input,synchronous transmission via the network cable.
- 2x gigabytes Ethernet output ports,it supports the arbitrary splicing.
- 1x USB port communication, multiple sending cards could be cascading connected to one computer.
- It has 1x 100M megabyte Ethernet Port.
- It supports Ethernet Port Loop Dual Backup, Dual Master Controller Backup.
- It supports to have multiple preset resolutions:1024×768 、 1280×1024 、 1366×768 、 1600×1200 、 1920×1080 、 2048×1152 、 2560×960 and the user defined resolution is supported.
- It is compatible with 30HZ,50HZ,60HZ,120HZ and other Frame Rate Input.
- It supports the upper computer software to detect the operating parameters and status of the sending card.
- It supports to read the configurations back from where it was stored (configuration read back)

It supports to detect the error rates of the gigabyte network.

Support data inspection, no debugging and recovery function after replacing the receiving card
1 USB input interface, support U disk playback, plug and play

Application Scenarios

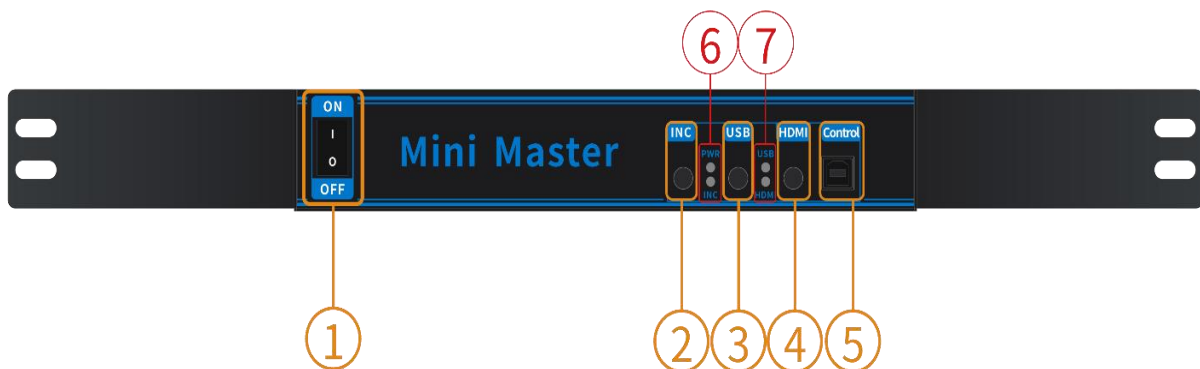
Mooncell KT20 can be widely used in small rental and simple fixed LED display fields, and has significant advantages in application scenarios such as hotel stages, bars, TV stations, and outdoor advertising projects.

2 Product Parameters

Basic Parameters

Loading Capacity	1 Network Port	650 Thousand Pixels
	Entire Unit	1.3 Million Pixels
Loading Range	Width	7680 Pixels
	Height	7680 Pixels
Shift Range	Width	0—7680 Pixels
	Height	0—7680 Pixels

Hardware Introduction



#	Button	Illustration
1	Switch	Power Switch

ear
Pa
nel



2	INC	<ul style="list-style-type: none"> ● 1.Short press the button: The INC indicator will flash rapidly, and the sender card will continuously scan the receiving cards for offsets. While the INC indicator is flashing rapidly, press the button again, and immediately release it when the INC indicator goes off, stopping the flashing. This will disable the scanning function. ● 2.Long press the button for more than 3 seconds: The INC indicator will flash slowly, and the sender card will begin scanning. The scan will cover all the content configured by the upper computer (including the receiving card network port offset, receiving card parameters, and sender card parameters). Once the scan is complete, the INC indicator will turn off. ● 3.Long press the button for more than 10 seconds: The INC indicator will stay on continuously, finalizing the scan content (including receiving card offset, receiving card parameters, receiving card gamma, and sender card parameters). During this finalization process, do not perform any other operations. Once finalization is complete, the INC indicator will turn off. ● 4.The above operations should be performed without connecting to AutoLED. ● 5.The above functions require the master control to finalize the data after complex screen adjustments and save the scan parameters before they can take effect. 	
3	USB	<ul style="list-style-type: none"> ● Short press to switch to USB playback. ● Medium to long press to switch input modes (the light starts flashing rapidly; release the button). <p>Long press (release the button when the light stays on) to upgrade the USB drive to V53 (if the V53 light remains steady, the upgrade process has started; once V53 begins flashing again, the upgrade is complete).</p> <p>Always off: Not selected. Always on: Selected, but no input. Fast flashing: Output video mode Slow flashing: output image mode</p>	
4	HDMI	<p>Medium to long press to toggle frame synchronization (the light starts flashing rapidly; release the button).</p> <p>Always off: Not selected. Always on: Selected, but no input. Fast flashing: Selected with input and frame synchronization. Slow flashing: Selected with input but no frame synchronization.</p>	
5	Control	USB (B Type)	
#	Indicator	Illustration	
6	PWR	Power indicator (red)	
	INC	Inspection indicator light (green)	
7	USB	U disk playback (red)	
	HDMI	HDMI playback (green)	
Illustration			
Order	Interface	QTY	Illustration
1	DC-5V	1	External adapter power supply

2	HDMI1	1	HDMI video source input; HDMI 1.3 standard, maximum support 1920X1080@60HZ resolution
3	AUDIO IN	1	3.5Mm audio interface input
	AUDIO OUT	1	3.5Mm audio interface Support audio output channels: 3.5mm audio interface, HDMI, USB
4	USB	1	<ul style="list-style-type: none"> ✓ U disk input; 1 × USB 2.0 interface, connect U disk, support 1080p@30fps video files. ✓ The U disk file system supports NTFS, FAT32 and FAT16, but not ExFAT (FAT64). ✓ Image file formats: jpg, jpeg, png, and bmp. ✓ Video encoding: MPEG1/2, MPEG4, Sorenson ✓ H.263, H.263, H.264 (AVC1) H.265 (HEVC),RV30/40, Divx, Xvid. ✓ Video bit rate: 4000 or less ✓ Audio Coding: MPEG1/2 Layer I, MPEG1/2, Layer II, MPEG1/2 Layer III, AAC-LC, VORBIS, PCM, and FLAC.
5	Network PORT	2	2 Gigabit network port output, connect with the receiving card

Dimensions





3 Product Specifications

Specifications

Electric Parameters	Input Voltage	5V
	Rated Power	3W
Operating Environment	Operating Temperature	-20°C - 70°C
	Operating Humidity	10%RH-90%RH No Solidification
Dimensions	312 X 206 X 136mm	
Net Weight	1.3KG	

Precautions

1. The installation process should be completed by professionals.
2. It has to be anti-static.
3. Waterproof and dust proof needed.